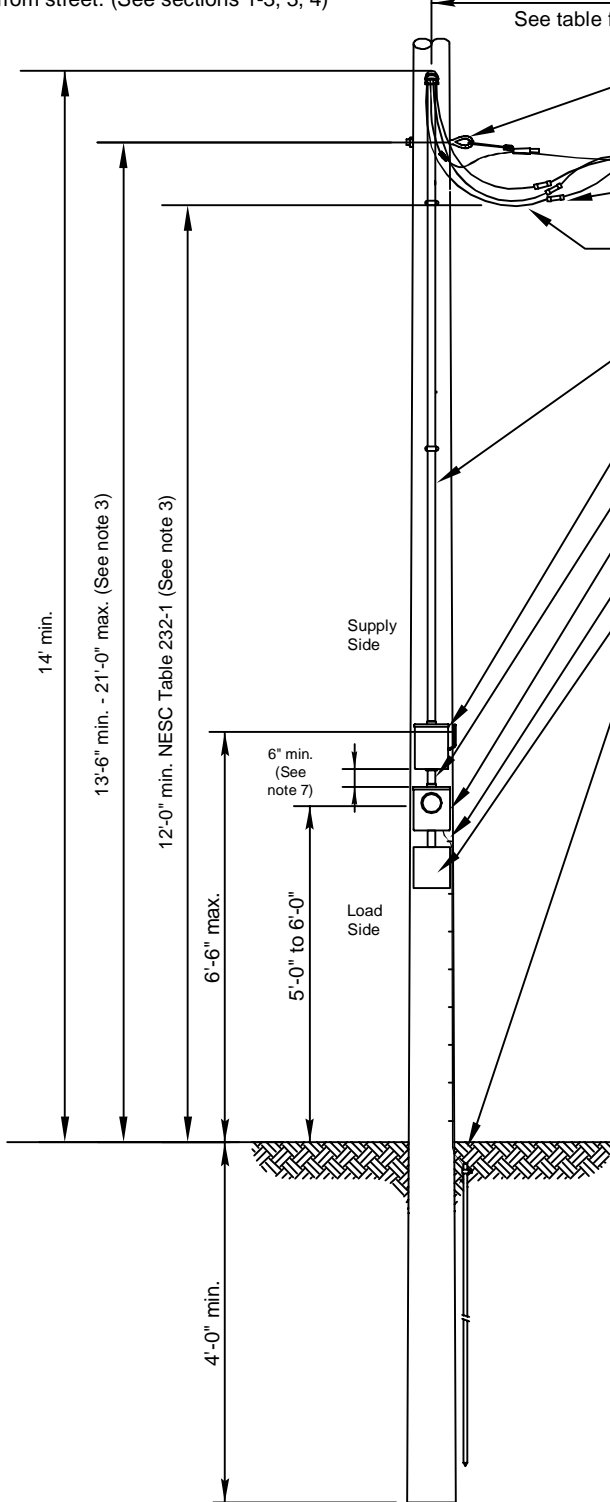


911 address shall be a minimum 3" lettering marked on meter enclosure, pole, or durable material attached to pole and should be visible from street. (See sections 1-3, 3, 4)

Shall meet requirements of drawings D4-4, D9-2 and D9-4.



See table for distance

See note 6

The company furnishes and installs service drop conductors, and connects service drop conductors to service entrance wires.

Customer to provide a minimum of 3'-0" of each conductor extending beyond the weatherhead. Neutral to be marked with white tape on both ends. Neutral wire may be bare.

Rigid/Intermediate metal (steel), rigid aluminum, EMT or schedule 80 PVC grey conduit, with U.V. protection.

Load break disconnect (See note 4).

6" Nipple (See note 7).

Meter socket installed and maintained by customer.

Ground wire to be fastened to the pole and sized per NEC.

Circuit breaker or fuse box (See note 4).

5/8" X 8'-0" copper clad ground rod and clamp. Upper end of ground rod to be flush with or below grade.

NOTES:

- Customer facilities shall comply with Company Standards, the NEC, and authorities having jurisdiction.
- The pole shall be a minimum diameter of 6" round or 6" X 6" square.
- Additional pole height may be required to maintain proper clearance per Section 7.3.
- For 277/480 volt service, Customer shall furnish and install a Company approved Company lockable, non fused disconnect switch on the supply side of the meter base and a separate load side disconnect with overcurrent protection within 2 ft. of the meter. Company shall control the supply side disconnect and it shall be available to Company 24 hours a day without notice.
- Customer furnishes and installs pole, conduits, conductors sized per NEC, bonding, grounds, neutrals, attachments, and weatherproof service entrance equipment.
- Customer installed minimum 1/2" galvanized eye bolt with 2" x 2" square washer recommended or other suitable attachment.
- If the conduit between the meter socket and the main disconnect is not metal, a bonding ground is required.
- Point of attachment shall be either accessible to Company's bucket truck or have enough surface (such as wall or building structure) and sufficient ground space on same Customer's property to safely support a ladder.
- Physical location of pole and any additional guying or bracing will be approved by the Company. See drawing D2-1.

**Call 48 Hours Before You Dig
1-888-258-0808**

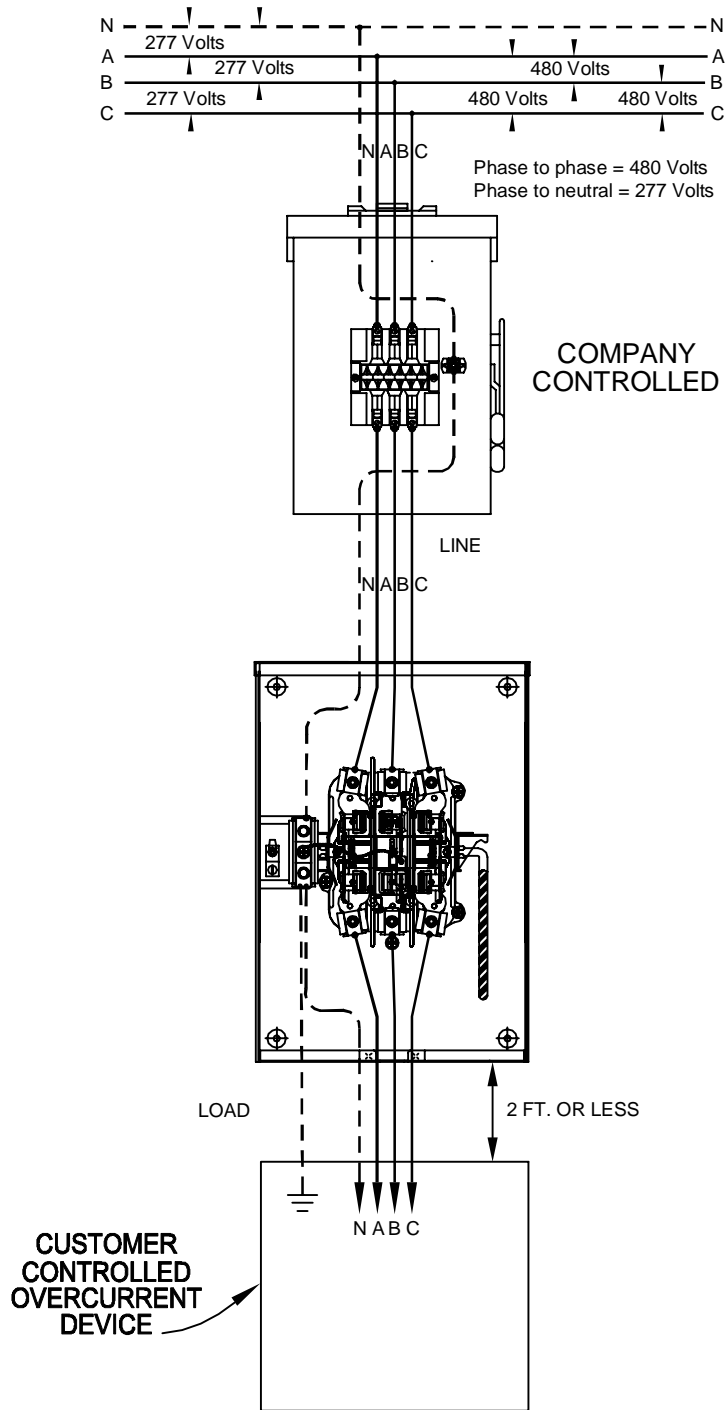
In locations with underground facilities, the Customer shall notify One Call and shall have One Call locate all underground facilities before digging. It shall be the responsibility of the Customer to stay clear of all underground facilities.

Maximum Recommended Distance	
Amps	Length
100	100'
200	75'
320	40'

ENTERGY SERVICES, INC.	
TYPICAL OVERHEAD SELF-CONTAINED 277V/480V INSTALLATION (320 AMPS OR LESS)	
APPROVED BY: JRH	DATE: 02/20/13
CHECKED BY: JED	SCALE: NONE
DRAWN BY: krich95	
No. D7-4	
PLOT 1=1	SH. 1 OF 1

1	02/13	REVISION OF DRAWING SS7.7-1	JED	
NO.	DATE:	REVISION	BY:	APPR:

OVERHEAD



Caution:

For 480 volt service, see drawing D9-2.

For 277/480 volt service, Customer shall furnish and install a Company approved, Company lockable, non fused disconnect switch on the supply side of the meter base and a separate load side disconnect with overcurrent protection within 2 ft. of the meter.

Company shall control the supply side disconnect. It shall be labeled "Utility Disconnect" see §1.5 Labels and Disconnects and it shall be available to Company 24 hours a day without notice.

NOTES:

1. Consult the Company.

ENTERGY SERVICES, INC.

**TYPICAL OVERHEAD 3Ø 4 WIRE
277/480 INSTALLATION**

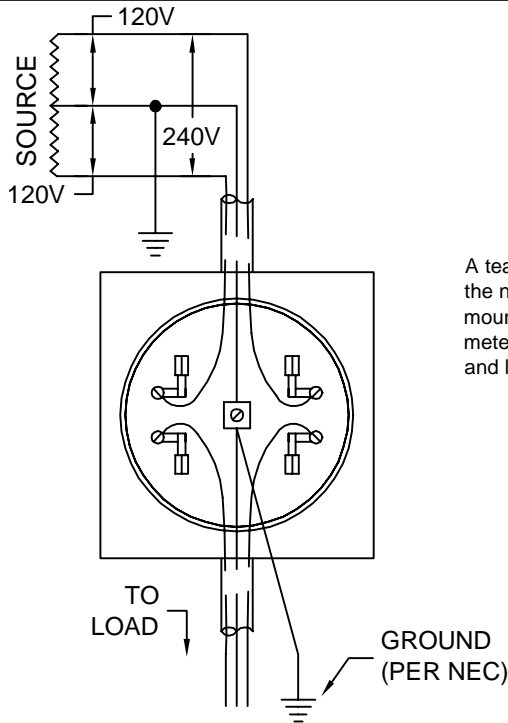
APPROVED BY: JRH	DATE: 01/14/2013
CHECKED BY: JED	SCALE: NONE
DRAWN BY: krich95	CEA NO.

No. **D9-4**

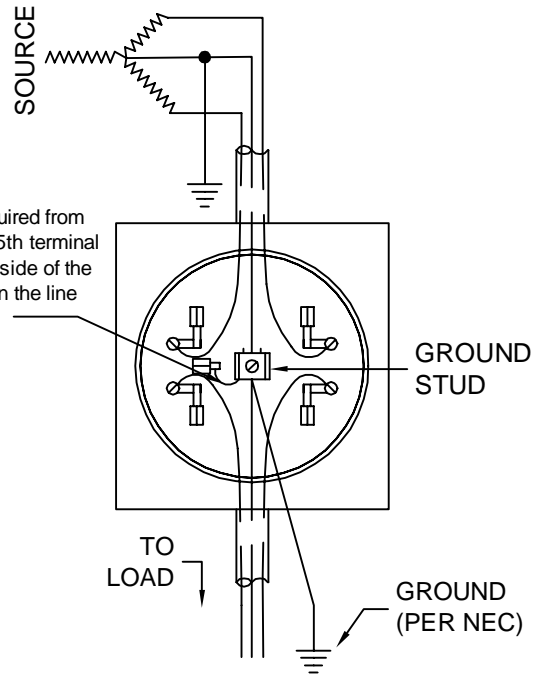


PLOT 1=1 SH. 1 OF 1

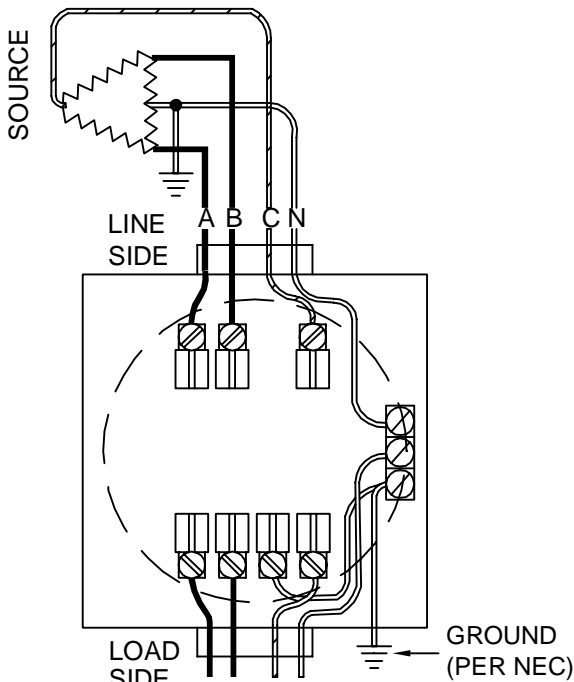
1	01/13	REVISION OF DRAWING SS11.8-5	JED	
NO.	DATE:	REVISION	BY:	APPR:



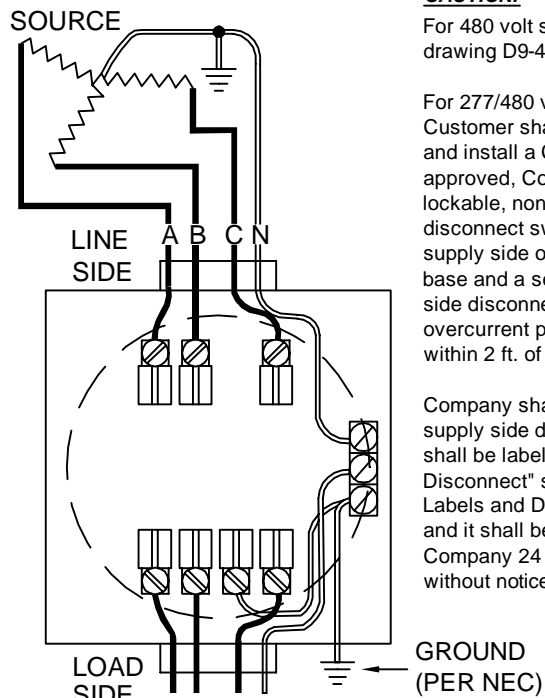
TYPE S
3 WIRE SINGLE PHASE 120/240 VOLTS



TYPE S
3 WIRE SINGLE PHASE 120/208 WYE VOLTS



THREE PHASE 4 WIRE DELTA
120 / 240 VOLTS



THREE PHASE 4 WIRE WYE
120 / 208 or 277/480 VOLTS

CAUTION:

For 480 volt service, see drawing D9-4.

For 277/480 volt service, Customer shall furnish and install a Company approved, Company lockable, non fused disconnect switch on the supply side of the meter base and a separate load side disconnect with overcurrent protection within 2 ft. of the meter.

Company shall control the supply side disconnect. It shall be labeled "Utility Disconnect" see §1.5 Labels and Disconnects and it shall be available to Company 24 hours a day without notice.

NOTES:

1. Ungrounded Conductor with the Higher Voltage to Ground (Phase marked C) must be marked orange.
2. All sockets, except residential single phase less than 320 Amps, shall have a manual mechanical gang operated bypass switch.
3. Load and supply wires shall not cross in the meter socket.

ENTERGY SERVICES, INC.			
WIRING DIAGRAM CONNECTIONS FOR OVERHEAD SELF CONTAINED METERS			
APPROVED BY:	JRH	DATE:	01/14/2013
CHECKED BY:	JED	SCALE:	NONE
DRAWN BY:	krich95		
		No. D9-2	
PLOT	1=1	SH.	1 OF 2

1	01/13	REVISION OF DRAWING SS11.8-1	JED	
NO.	DATE:	REVISION	BY:	APPR:

Label: When permanently attached tags or labels are required, they shall be red background with white letters and UV resistant. The lettering on each label/tag shall be 3/16 inch or larger and be either raised or incised on each tag. Each tag shall be riveted or glued to the meter loop or switch.

- For Net Metering, interconnection customer shall label meter.
- For Multiple Service drops to the same building more than 10 feet apart, Customer shall label each service drop's meter-socket with an arrow pointing to other service drop meter(s) and a description of the location (Examples: Service #1 Suite 10 located at northeast corner of building, Service #2 Suite 20 located at southwest corner of building)
- For multiple meters, the meter enclosures and disconnects shall be labeled with suite or apartment identification.
- For 480 volt services the disconnect ahead of the meter shall be labeled utility disconnect
- In areas where cable can be owned by Company or Customer, for Customer owned cable, Customer supplied label shall say "Customer owned cable" (two required). One label shall be installed by Customer on meter socket; one label shall be given to Company for installation on the transformer.

Consult the Company.

Disconnect or Disconnect switch shall

- Be lockable (by the Company)
- Be available to Company personnel at all hours without notice
- Be within sight of service entrance meter preferably adjacent to meter, but within 10 feet of meter,
- Have an open and visible break verifiable by Company personnel
- Be load break and one piece
- Have a label (see definition of label)
- In underground service normally is on the customer side of a junction box

The Company may operate and lock down this switch for safety, non-payment or any other valid reason. Review the applicable drawings for proper installation. Disconnect switch box design and location must be approved by the Company in advance of installation.